

# HMF 635-K



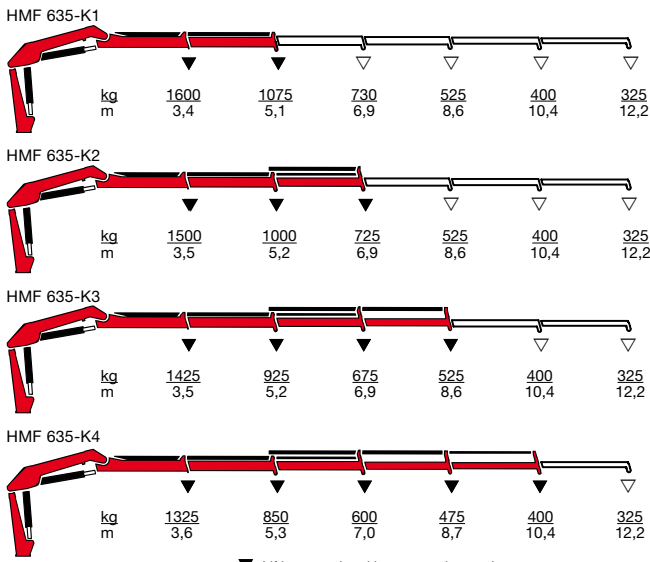
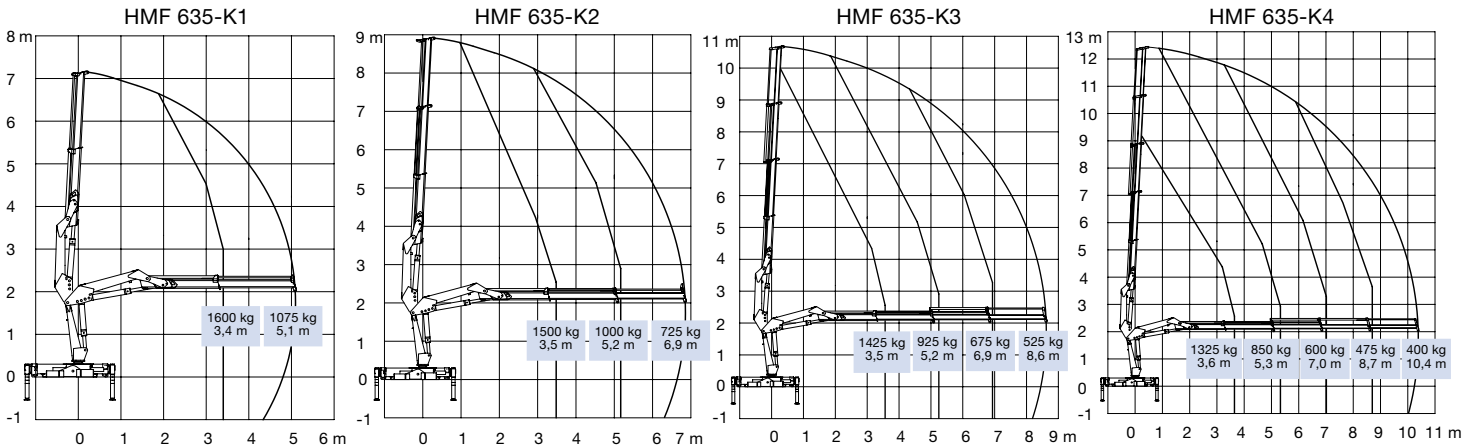
- power to lift.

# HMF Knuckle Boom Loader 635-K

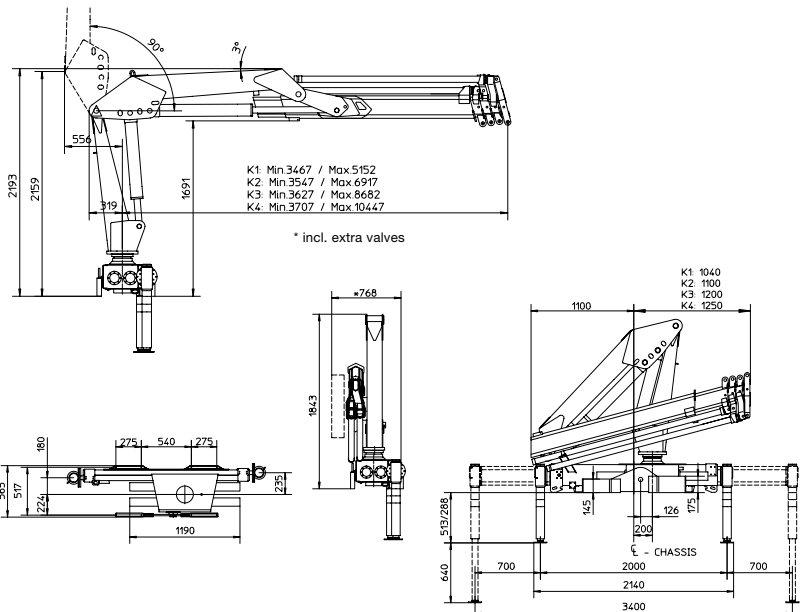
## HMF loader Series 635-K in the 6 tm range

- The HMF 635-K is a loader with a hydraulic reach and lifting capacity second to none within this category.
- Equipped with manual extensions, the total reach is 12.2 metres with a lifting capacity of 325 kg.
- Ideal for mounting on medium-sized trucks.
- The 635-K is suitable for hook applications as well as hydraulic accessory applications such as grab and rotator.
- Excellent close-range lifting capacities combined with a long out-reach and high working speed make the loader very flexible.
- Oil regeneration system in all extension cylinders, providing high working speeds on the movements of the jib extension system.
- Available as standard with HMF's totally integrated user-friendly RCL Safety System, which only intervenes when absolutely necessary.
- The loader series is available with the following options: radio remote control, winch, transport alarm and temperature monitoring.

| Loading group B3                    |       | 635-K1 | 635-K2 | 635-K3 | 635-K4 |
|-------------------------------------|-------|--------|--------|--------|--------|
| Load moment                         | tm    | 5.4    | 5.2    | 5.1    | 4.8    |
| Hydraulic reach                     | m     | 5.2    | 7.0    | 8.7    | 10.5   |
| Slewing torque                      | kgm   | 980    | 980    | 980    | 980    |
| Slewing angle                       | °     | 400    | 400    | 400    | 400    |
| Height above chassis                | mm    | 1843   | 1843   | 1843   | 1843   |
| Width, folded                       | mm    | 2200   | 2200   | 2300   | 2350   |
| Length of loader, no extra valves   | mm    | 583    | 583    | 583    | 583    |
| Length of loader, with extra valves | mm    | 768    | 768    | 768    | 768    |
| Stabilizer spread, standard         | mm    | 3400   | 3400   | 3400   | 3400   |
| Stabilizer spread, extra long       | mm    | 4760   | 4760   | 4760   | 4760   |
| Stabilizer spread, double extension | mm    | 5500   | 5500   | 5500   | 5500   |
| Weight excl. stabilizers            | kg    | 740    | 815    | 880    | 940    |
| Weight of stabilizers, standard     | kg    | 120    | 120    | 120    | 120    |
| Working pressure                    | MPa   | 27.5   | 27.5   | 27.5   | 27.5   |
| Pump performance                    | l/min | 25     | 25     | 20     | 20     |
| Oil capacity in base                | l     | 33.5   | 33.5   | 33.5   | 33.5   |
| Power consumption                   | kW    | 12.3   | 12.3   | 9.8    | 9.8    |
| Hook height 1 m from column         | m     | 2.4    | 2.3    | 2.2    | 2.1    |



▼ Lifting capacity without manual extensions  
 ▽ Lifting capacity with manual extensions



Højbjerg Maskinfabrik A/S • Oddervej 200 • DK-8270 Højbjerg  
 Tel.: +45 8627 0800 • Fax: +45 8627 0744 • info@hmf.dk

www.hmf.dk

Z008387-3

We reserve the right to introduce improvements and modifications